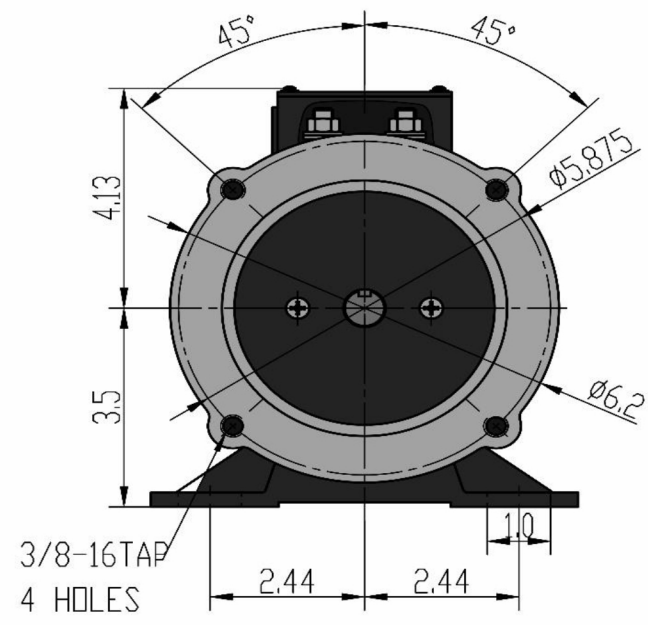
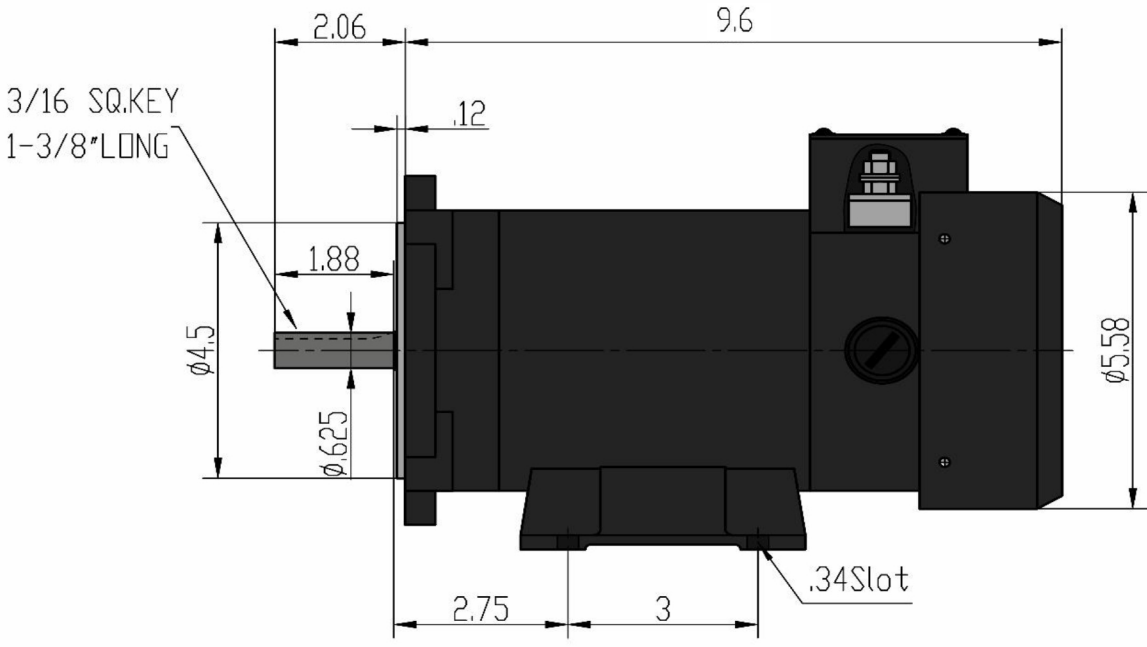


MaxMotion



Customer is responsible in determining that MaxMotion product will fit/perform suitably in the intended application

Version: 1N1N

Revised: April 2020

HP	RPM	Voltage	Amps	Const.	Frame	Insul.	Torque	P. Code	Wgt lbs	Rated
0,33	1750	24Vdc	19,1	TEFC	56C	Class H	11.9 in/lbs	K (SCR)	23	IP45

MM3324FC